

# MCRN2P RFID-Reader with LED

MCRN2P R 1.3  
Dec. 05, 2024

## Key Features

<b>Frequency</b>	13.56 MHz
<b>Interface</b>	Ethernet (PoE-Enabled) RS485/RS232
<b>Standards</b>	ISO14443A/B, ISO15693
<b>Supported Cards &amp; Transponders</b>	MIFARE® Family & NTAG I-Code NFC Smartphones
<b>Antenna</b>	Internal
<b>Display</b>	RGB-LED
<b>Housing</b>	Waterproof IP67
<b>Power supply</b>	+12V or PoE
<b>Dimensions</b>	100x100x25mm



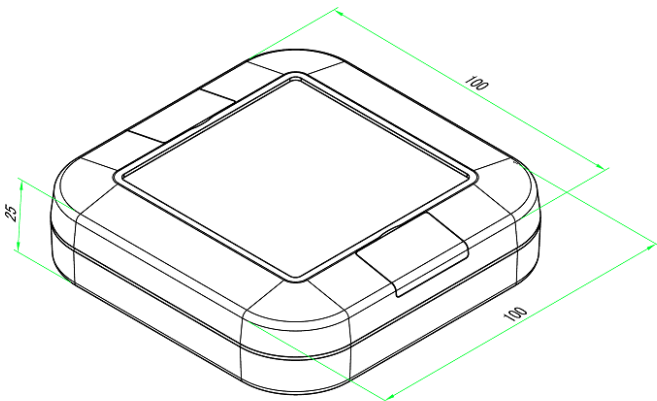
## 1 DESCRIPTION

The MCRN2P is a robust outdoor RFID reader equipped with a tri-color LED, designed for secure access control in various environments. Ideal for a wide range of access points, it ensures reliable and efficient management of authorized entries. With its durable build, it's suited for all-weather conditions, making it a dependable choice for high-security areas. The LED provides clear instructions, enhancing user experience and operational efficiency. Perfect for locations requiring stringent access management, such as depots or logistics hubs.

## 2 ELECTRICAL

SYMBOL	PARAMETER	MIN	TYP	MAX	UNIT
VIN	Input Voltage	+8	-	+60	V
IIN	Input Current (VIN=+12V)	-	50	200	mA
VR	Maximum Reverse Voltage	-	+60	-	V
TA	Ambient Temperature Range	-40	-	+85	°C
RS485-VOD	Differential Output (RL=54Ω)	+1.5	+2	+3.3	V
RS485-A/B	Input Voltages	-8V	-	+13	V
RS485-A/B	Output Voltages	-	+3.3	-	V
RS232 Receiver	Input Voltages	-30	-	+30	V
RS232 Transmitter	Output Voltages	±5	±5.2	-	V
Relays (SSR)	2x Solid State Relays 1.2A (3A peak) 30V				
<b>ESD Performance</b>					
RS485-A/B	IEC 61000-4-2 (ESD) ±15kV (air), ±8kV (contact)				
RS232	IEC 61000-4-2 (ESD) ±15kV (air), ±8kV (contact)				
MTBF	500.000h				

## 3 DIMENSIONS & MOUNTING



100 x 100 x 25 mm



Blind lids for wall mounting

4 VARIANTS

Rear Output	Side Output	Open Outputs
Ethernet Only	Ethernet Only	Ethernet + Relays + Inputs+ RS232/485
Ethernet + Relay Cable	Ethernet + Relay Cable	
<b>Relay Cable Pinning</b>		
<ul style="list-style-type: none"> <li><span style="color: brown;">—</span> Brown [RELAY1]</li> <li><span style="color: yellow;">—</span> Yellow [RELAY1]</li> <li><span style="color: green;">—</span> Green [RELAY2]</li> <li><span style="color: grey;">—</span> White [RELAY2]</li> </ul>		
<b>RS232/RS485 Cable Pinning</b>		
<ul style="list-style-type: none"> <li><span style="color: brown;">—</span> Brown [+VIN]</li> <li><span style="color: yellow;">—</span> Yellow [TX-OUT] [A]</li> <li><span style="color: green;">—</span> Green [RX-IN] [B]</li> <li><span style="color: grey;">—</span> White [GND]</li> </ul>		

5 ORDERING CODES

ARTICLE NR:	Interface	Relays	Inputs	RS232	RS485	Waterproof	Power Supply	Output Type
MCRN2P-2210	PoE	2	2	1	1		PoE or Vin	Open outputs
MCRN2P-221V	Passive-PoE	2	2	1	1		+12VDC	Open outputs
MCRN2P-2100R	PoE					IP67	PoE	Rear Output
MCRN2P-2100S	PoE					IP67	PoE	Side Output
MCRN2P-2101	RS485				1	IP67	+12VDC	Side Output
MCRN2P-2102	RS232			1		IP67	+12VDC	Side Output
MCRN2P-2200R	PoE	2				IP67	PoE	Rear Output
MCRN2P-2200S	PoE	2				IP67	PoE	Side Output

# DATASHEET

## Article Number

**MCRN2P-2XXX**\_

R: Rear cable outputs

S: Side cable outputs

